

NORTH AMERICA:
 Class I, Div 1, Groups A, B, C & D
 Class II, Div 1, Groups E, F & G
 Class III
 Class I, Zone 0 AEx ia IIC T4
 Ex ia IIC T4

**ZONE 0 OR ZONE 2 OR DIVISION 1
 HAZARDOUS LOCATION**

NON HAZARDOUS LOCATION

-64

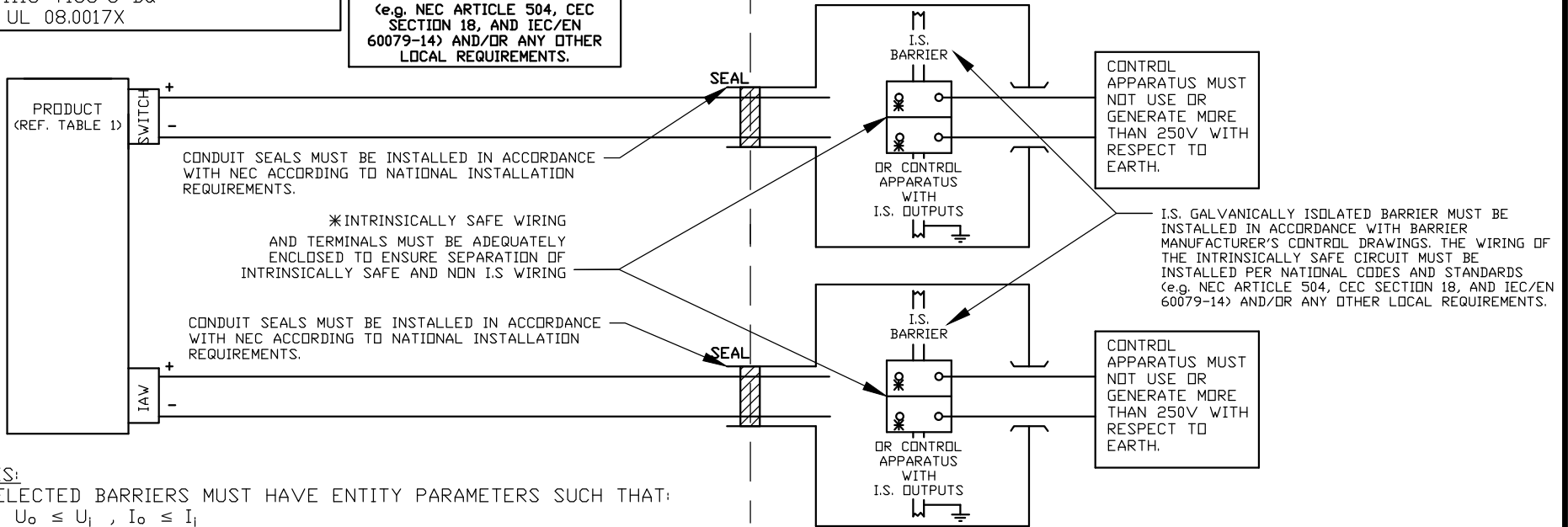
EUROPE:
 II 1 G Ex ia IIC T4 Ga
 II 1 D Ex ia IIIC T135°C Da
 Certificate DEMKO 09 ATEX 0813748X

**ENTITY PARAMETERS
 (EACH INPUT)**
 $U_i = 12\text{ V}$
 $I_i = 20\text{ mA}$
 $P_i = 60\text{ mW}$
 $C_i = 23.1\text{ nF}$
 $L_i = 705\text{ }\mu\text{H}$

**ASSOCIATED APPARATUS
 MAY BE INSTALLED IN A
 DIVISION 2 OR ZONE 2
 LOCATION IF SO
 APPROVED**

IECEX:
 Ex ia IIC T4 Ga
 Ex ia IIIC T135°C Da
 IECEX UL 08.0017X

**MUST BE INSTALLED PER
 NATIONAL CODES AND STANDARDS
 (e.g. NEC ARTICLE 504, CEC
 SECTION 18, AND IEC/EN
 60079-14) AND/OR ANY OTHER
 LOCAL REQUIREMENTS.**



NOTES:

- A. SELECTED BARRIERS MUST HAVE ENTITY PARAMETERS SUCH THAT:
 $U_o \leq U_i$, $I_o \leq I_i$
 $C_o \geq C_i + C_{cable}$, $L_o \geq L_i + L_{cable}$
 $P_o \leq P_i$, IF P_o OF THE BARRIER IS NOT KNOWN, IT MAY BE CALCULATED USING THE FORMULA, $P_o = (U_o * I_o)/4$.
- B. FOR C_{cable} AND L_{cable} , IF THE CAPACITANCE PER METER/FOOT OR THE INDUCTANCE PER METER/FOOT IS NOT KNOWN, THEN THE FOLLOWING VALUES SHALL BE USED:
 $C_{cable} = 200\text{ pF/METER}$ (60 pF/ft)
 $L_{cable} = 1\text{ }\mu\text{H/METER}$ (0.20 uH/ft)
- C. SELECTED ASSOCIATED APPARATUS MUST BE THIRD PARTY APPROVED AS PROVIDING INTRINSICALLY SAFE CIRCUITS FOR THE APPLICATION.

**AGENCY CRITICAL COMPONENT,
 NO SUBSTITUTIONS ALLOWED
 WITHOUT UEC ENGINEERING APPROVAL.**

**SPECIFIC CONDITIONS OF SAFE USE AND WARNING
 MARKINGS ARE LOCATED IN INSTRUCTION MANUAL,
 DRAWING# IM_ONE_TXSW**

ORIGINAL DATE	5-14-15
DRWN	RG
CHKD	EM
APPD	E. MOITOSO
UNLESS OTHERWISE SPECIFIED DIMENSIONS ARE IN INCHES TOLERANCES ON FRACTIONS ±1/64 2 PLACE DEC 3 PLACE DEC ANGLES ±0.010 ±0.005 ±1/2° DO NOT SCALE THIS DRAWING	

TITLE
**INTRINSICALLY
 SAFE
 (I.S.) CONTROL
 (cULus)**
 USED ON:
 SCALE N.T.S.

DF001
 REV. C

UNITED ELECTRIC
 CONTROLS COMPANY
 WATERTOWN * MASSACHUSETTS

DWG NO
A-62174-64

THIS DOCUMENT IS PROPRIETARY PROPERTY OF
 UNITED ELECTRIC CONTROLS.
 UNAUTHORIZED USE IS STRICTLY PROHIBITED.

C	REDRAWN, UPDATED PER AGENCY REQUIREMENTS. ECN#E5530	6-9-15	SR	EM
SYM	DESCRIPTION	DATE	DWN	APPD
REVISIONS				