

CLEARANCE FOR 1/4" BOLT (4 PLCS)

REMOTE TEMPERATURE SENSOR; 1/2" NPT (FEMALE) CONNECTION TO ENCLOSURE; MINERAL INSULATED CABLE WITH Ø0.25" X 2.50" LG. BULB

SPECIFICATIONS (CONT'D):

ELECTRICAL:

ELECTRICAL CONNECTIONS:

POWER INPUT: 3 POSITION TERMINAL BLOCK, 22-14 AWG WIRE, 4-20mA ANALOG INPUT POWERED (20-40 VDC) OR DIRECT CONNECTION TO 24 VDC (REFERENCE I&M FOR ALLOWABLE POWER SUPPLY AND LOAD LIMITS)

SAFETY RELAY OUTPUT (SWITCH OUTPUT): 4-POSITION TERMINAL BLOCK, 14 - 20 AWG WIRE 0* - 130 VDC, 2.5A (GENERAL PURPOSE), Q150** MAX. (PILOT DUTY)

* 10 VDC, 5mA MIN. WITH RELAY MONITOR FEATURE ENABLED
** DE-RATE 1% PER °C ABOVE 25°C

I&W OUTPUT AND SWITCH STATUS OUTPUT: 4-POSITION TERMINAL BLOCK, 14 - 26 AWG WIRE 30VDC @20mA MAX.

SPECIFICATIONS:

(SPECIFICATIONS AT 25°C (77°F) AND NOMINAL VOLTAGE UNLESS OTHERWISE NOTED).

MECHANICAL:

WETTED MATERIALS: 316 STAINLESS STEEL
ENCLOSURE: TYPE 360 ALUMINUM; EPOXY POWDER COATED

| MODEL | TEMPERATURE RANGE | EXTENSION LENGTH | |
|-------|--------------------------------|------------------------------------|-----------|
| | | ft | [meter] |
| TR1 | -40 TO 450°F/ -40 TO 232°C | 6' | [1.8] |
| TRC | -40 TO 450°F/ -40 TO 232°C | UP TO 30' max. IN 1' INCREMENTS | [9.1] MAX |
| TH1 | -40 TO 1000°F/ -40 TO 538°C | 6' | [1.8] |
| THC | -40 TO 1000°F/ -40 TO 538°C | UP TO 30' max. IN 1' INCREMENTS | [9.1] MAX |
| TC1 | -300 TO 200°F/ -184 TO 93°C | 6' | [1.8] |
| TCC | -300 TO 200°F/ -184 TO 93°C | UP TO 30' max. IN 1' INCREMENTS | [9.1] MAX |

THIS DOCUMENT IS PROPRIETARY PROPERTY OF UNITED ELECTRIC CONTROLS. UNAUTHORIZED USE IS STRICTLY PROHIBITED.

| APPROVALS | DATE |
|----------------------------|-----------|
| DRAWN BY: R.MCCAREY | 5/24/2017 |
| CHECKED BY: SR | 5/24/2017 |
| APPROVED BY: R. MCCAREY | 5/24/2017 |

UE UNITED ELECTRIC CONTROLS
LEADERS IN SAFETY, ALARM & SHUTDOWN
180 Dexter Avenue
Watertown, MA. 02472
617-926-1000
www.ueonline.com

TITLE:
**2SLP49
REMOTE TEMP.
SAFETY XMITER**

| REV | ECN# | DESCRIPTION | DATE | DRWN | APPD |
|-----|-------|---|----------|------|------|
| C | E6403 | UPDATED TB2, SAFETY RELAY OUTPUT TERMINAL BLOCK LABELS: "VDC" REPLACED "NEUTRAL 1" & "NEUTRAL 2"; "SRO" REPLACED "SRO" & "LINE" (SHEET 2) | 12-13-18 | SR | RAM |
| B | E6315 | REDRAWN. CHANGED TWO 2-POSITION TERMINAL BLOCKS FOR THE SWITCH STATUS AND I&W OUTPUTS TO ONE 4-POSITION TERMINAL BLOCK. CHANGED AWG RATING FROM 16-26 TO 14-26. | 8/3/18 | SR | JCG |

REVISION HISTORY

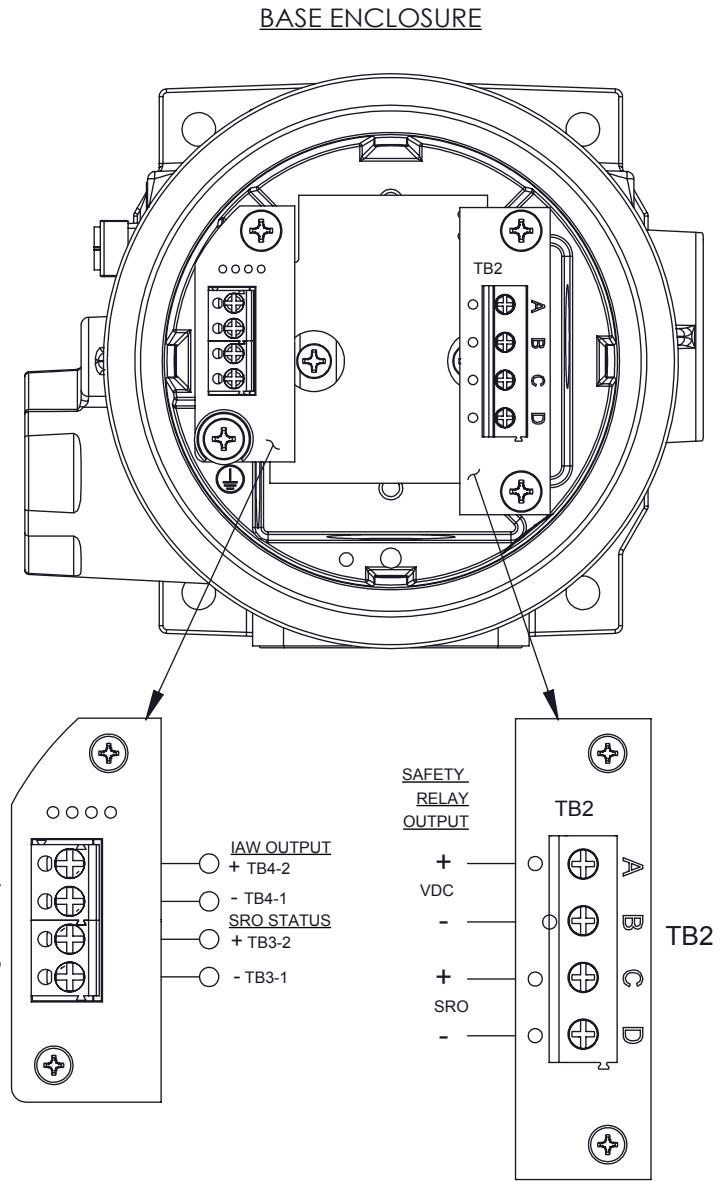
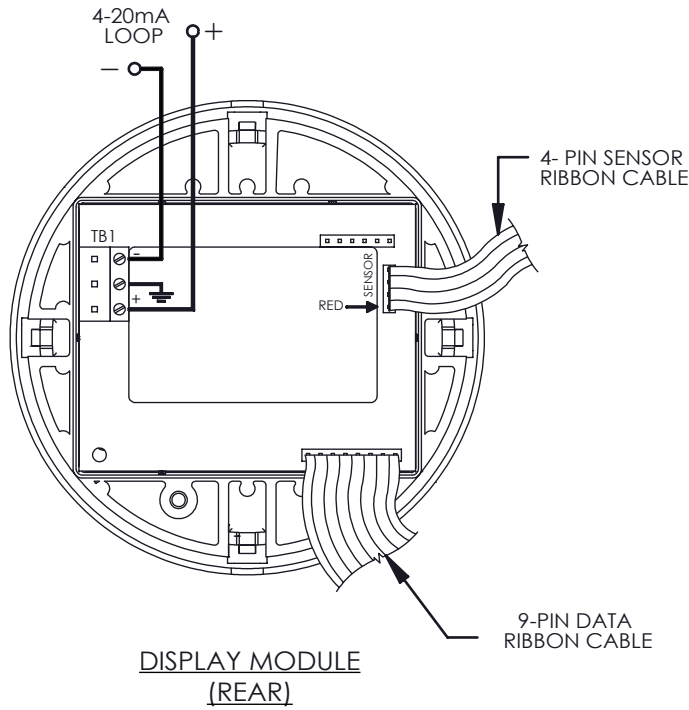
THIRD ANGLE PROJECTION

UNLESS OTHERWISE SPECIFIED DIMENSIONS & TOLERANCES ARE IN INCHES (MM) INTERPRET PER ASME Y14.5M-2009

STANDARD TOLERANCES
DECIMALS ANGLES
X ± 0.03 ± 1/2°
XX ± 0.01 FRACTIONS
XXX ± 0.005 ± 1/64

| | | |
|------------------|-----------------------------|--------------------------|
| SIZE A | DRAWING NO. 14063 | REV C |
| SCALE: 1:1 | | DON'T SCALE THIS DRAWING |
| SHEET 1 OF 2 | | |

2SLP49 WIRING DIAGRAM



THIS DOCUMENT IS PROPRIETARY PROPERTY OF UNITED ELECTRIC CONTROLS. UNAUTHORIZED USE IS STRICTLY PROHIBITED.

THIRD ANGLE PROJECTION

UNLESS OTHERWISE SPECIFIED DIMENSIONS & TOLERANCES ARE IN INCHES (MM) INTERPRET PER ASME Y14.5M-2009

STANDARD TOLERANCES

| | |
|-------------|------------------|
| DECIMALS | ANGLES |
| X ± 0.03 | ± 1/2° |
| XX ± 0.01 | FRACTIONS ± 1/64 |
| XXX ± 0.005 | |

UE UNITED ELECTRIC CONTROLS
LEADERS IN SAFETY, ALARM & SHUTDOWN

180 Dexter Avenue
Watertown, MA. 02472
617-926-1000
www.ueonline.com

| | | |
|--------------------------------------|--------------|--------------|
| SIZE | DRAWING NO. | REV |
| A | 14063 | C |
| SCALE: 1:1 DO NOT SCALE THIS DRAWING | | SHEET 2 OF 2 |