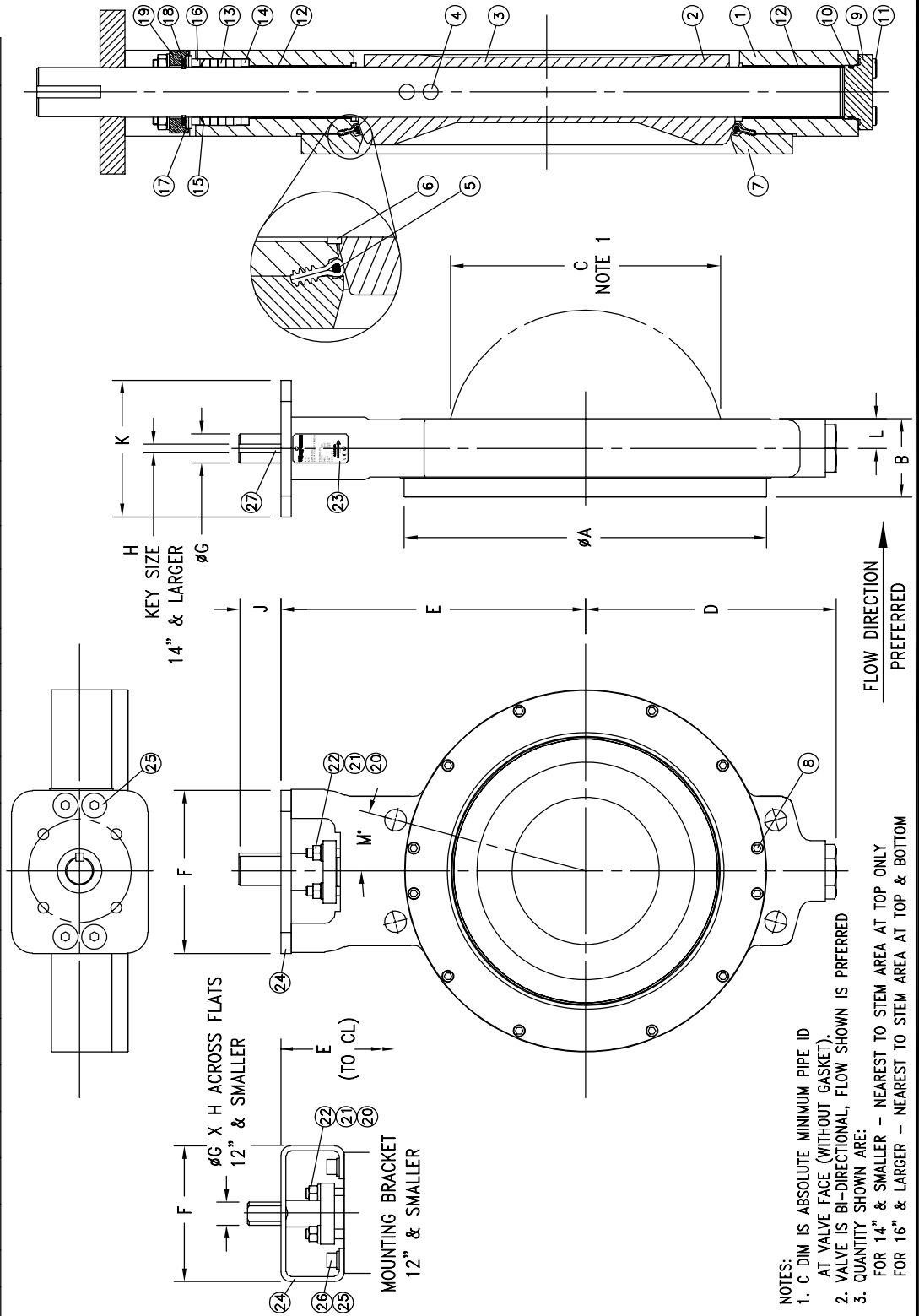


| Valve Size<br>In.<br>mm | Class 150 Flange Data |       |      |       |       |       |       |      |      |       | Valve Mounting |       | Top Plate Drilling |             | Body Flange Drilling |       | Weight |           |                     |
|-------------------------|-----------------------|-------|------|-------|-------|-------|-------|------|------|-------|----------------|-------|--------------------|-------------|----------------------|-------|--------|-----------|---------------------|
|                         | A                     | B     | C    | D     | E     | F     | G     | H    | J    | K     | L              | BCD   | # of Holes         | Flange Type | Code                 | M'    |        | Note 3    | Thru. Hole Diameter |
| 2.5"                    | 65                    | 4.75  | 1.88 | 2.28  | 3.81  | 6.38  | 4.36  | 0.63 | 1.25 | 2.50  | 0.77           | 2.76  | 4                  | F07         | B                    | 5.50  | 4      | 5/8-11UNC | 14                  |
| 3"                      | 80                    | 5.25  | 1.88 | 2.86  | 4.09  | 6.63  | 4.36  | 0.63 | 1.25 | 2.50  | 0.77           | 2.76  | 4                  | F07         | B                    | 6.00  | 4      | 5/8-11UNC | 16                  |
| 4"                      | 100                   | 6.72  | 2.03 | 3.72  | 4.71  | 7.50  | 4.36  | 0.63 | 1.25 | 2.50  | 0.75           | 2.76  | 4                  | F07         | B                    | 7.50  | 8      | 5/8-11UNC | 21                  |
| 5"                      | 125                   | 7.62  | 2.23 | 4.80  | 5.07  | 7.50  | 5.12  | 0.75 | 1.25 | 4.50  | 0.94           | 2.76  | 4                  | F07         | C                    | 8.50  | 8      | 3/4-10UNC | 26                  |
| 6"                      | 150                   | 8.62  | 2.23 | 5.88  | 5.57  | 8.00  | 5.12  | 0.75 | 1.25 | 4.50  | 0.94           | 2.76  | 4                  | F07         | C                    | 9.50  | 8      | 3/4-10UNC | 33                  |
| 8"                      | 200                   | 10.81 | 2.40 | 7.80  | 6.94  | 9.50  | 5.12  | 0.87 | 1.25 | 4.50  | 0.94           | 4.92  | 4                  | F12         | D                    | 11.75 | 8      | 3/4-10UNC | 46                  |
| 10"                     | 250                   | 13.06 | 2.75 | 9.78  | 8.56  | 10.75 | 6.12  | 1.18 | 2.00 | 4.50  | 1.07           | 4.92  | 4                  | F12         | E                    | 14.25 | 12     | 7/8-9UNC  | 80                  |
| 12"                     | 300                   | 15.42 | 3.08 | 11.74 | 10.18 | 12.25 | 6.12  | 1.18 | 2.00 | 4.50  | 1.13           | 4.92  | 4                  | F12         | E                    | 17.00 | 12     | 7/8-9UNC  | 123                 |
| 14"                     | 350                   | 17.24 | 3.73 | 12.90 | 11.95 | 14.50 | 7.75  | 1.38 | 2.00 | 6.50  | 1.42           | 4.92  | 4                  | F12         | F                    | 18.75 | 12     | 1-8UNC    | 208                 |
| 16"                     | 400                   | 19.50 | 4.11 | 14.68 | 12.94 | 17.75 | 10.38 | 1.97 | 2.50 | 6.50  | 1.66           | 6.50  | 4                  | F16         | G                    | 21.25 | 16     | 1-8UNC    | 313                 |
| 18"                     | 450                   | 21.38 | 4.61 | 16.60 | 14.15 | 20.00 | 10.38 | 1.97 | 2.50 | 6.50  | 1.86           | 6.50  | 4                  | F16         | G                    | 22.75 | 16     | 1-12-8UN  | 402                 |
| 20"                     | 500                   | 23.62 | 5.03 | 18.50 | 15.26 | 22.75 | 10.38 | 2.50 | 4.00 | 6.50  | 2.06           | 6.50  | 4                  | F16         | H                    | 25.00 | 20     | 1-12-8UN  | 527                 |
| 24"                     | 600                   | 27.96 | 6.00 | 22.50 | 18.21 | 25.00 | 15.38 | 3.00 | 4.00 | 11.75 | 2.44           | 10.00 | 8                  | F25         | F25-2                | 29.50 | 20     | 1.25-8UN  | 813                 |



NOTES:  
 1. C DIM IS ABSOLUTE MINIMUM PIPE ID AT VALVE FACE (WITHOUT GASKET).  
 2. VALVE IS BI-DIRECTIONAL, FLOW SHOWN IS PREFERRED.  
 3. QUANTITY SHOWN ARE:  
 FOR 14" & SMALLER - NEAREST TO STEM AREA AT TOP ONLY  
 FOR 16" & LARGER - NEAREST TO STEM AREA AT TOP & BOTTOM

Valve Size \_\_\_\_\_ Pressure Rating \_\_\_\_\_  
 Flg. Drilling \_\_\_\_\_  
 Customer/Project \_\_\_\_\_  
 Inq./P.O. No. \_\_\_\_\_  
 Bray Order No. \_\_\_\_\_  
 Certified Correct By \_\_\_\_\_ Date \_\_\_\_\_

DIMENSIONS (INCHES)  
 DOUBLE OFFSET BUTTERFLY VALVE  
 SERIES 40 ANSI CLASS 150  
 SIZES 2.5" - 24" BARE STEM

**Bray** CONTROLS  
 A Division of BRAY INTERNATIONAL, Inc.

|             |      |
|-------------|------|
| SHEET       | REV. |
| 1 OF 1      | RFP  |
| DRAWING NO. |      |
| ES11A-0788  |      |