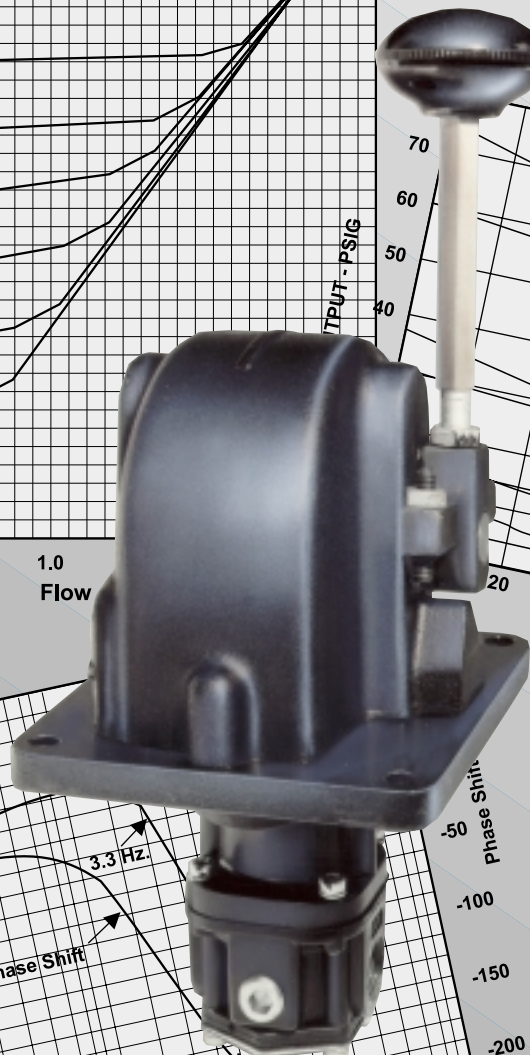
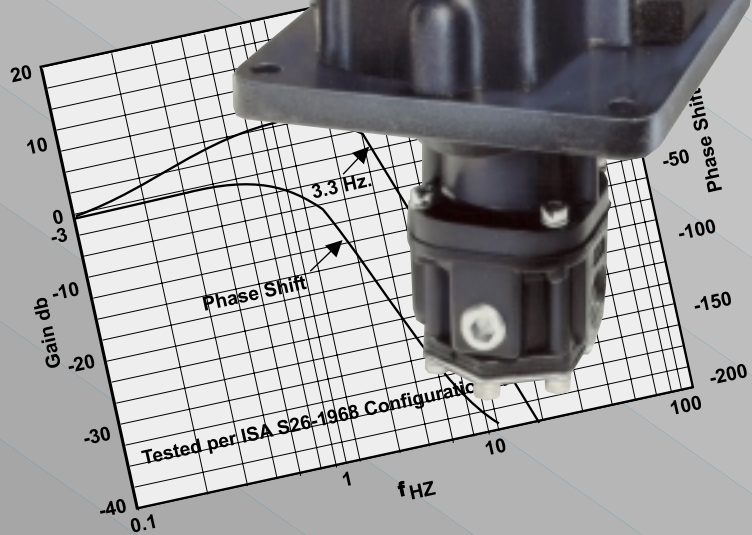
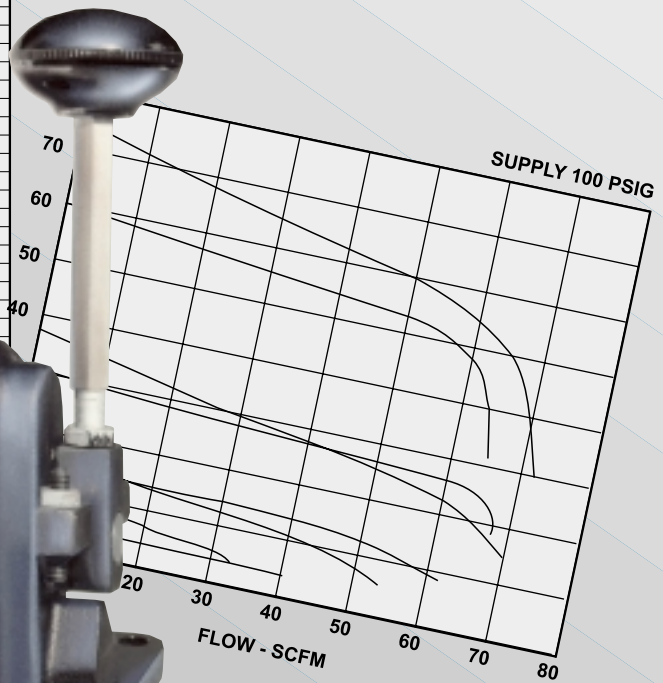
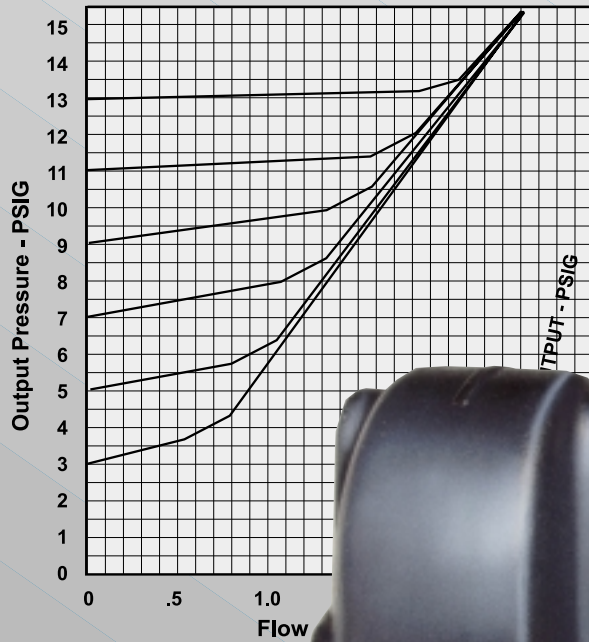


FAIRCHILD

PNEUMATIC LEVER OPERATED REGULATOR

Model 3400



FAIRCHILD
INDUSTRIAL PRODUCTS COMPANY

GENERAL INFORMATION

MODEL 3400

Pneumatic Lever Operated Regulator

APPLICATIONS

The Model 3400 Pneumatic Lever Operated Regulator is the combination of a Model 1000 high flow precision regulator and a hand operated lever mechanism with 120 degree maximum travel.

FEATURES

Performance

- The Regulator is sensitive to 1/2" Water Column which permits use in precision applications.
- A Balanced Supply Valve minimizes the effect of supply pressure variation.
- Aspirator Tube minimizes downstream pressure droop under flow conditions.
- Soft Supply and Exhaust Seats minimize air consumption.

Functional

- Flow of up to 50 SCFM with 100 psig Supply allows use in applications with high flow requirements.

Physical

- A separate Control Chamber isolates the diaphragm from the main flow, eliminating hunting and buzzing.
- Unit Construction permits servicing without removing from line.
- Compact Size maximizes economy in installations where space is limited.

NOTE:

The information for this catalog sheet is being upgraded to electronic format and will be available soon. Please go to the Information Request section of this web site to order the latest printed revision.

— ORDERING INFORMATION —

Catalog Number	3 4	<input type="checkbox"/>	<input type="checkbox"/>
Pressure Range			
psig	[BAR]	(kPa)	
0.5-10	[0.035-0.7]	(3.5-70)	(2)
0.5-30	[0.035-2]	(3.5-200)	(3)
1-60	[0.07-4]	(7-400)	(4)
2-150	[0.15-10]	(15-1000)	(6)
Pipe Size			
1/4" NPT			(2)
3/8" NPT			(3)



FAIRCHILD
INDUSTRIAL PRODUCTS COMPANY

3920 WEST POINT BLVD. WINSTON-SALEM, NC 27103-6708
TEL 336-659-3400 FAX 336-659-9323

www.fairchildproducts.com



FM NO. 25571