

Single-entry power connection with junction box

The JBS-100 kit is designed to connect power to a single Raychem® brand BTV, QTVR, XTV, KTV, or VPL heating cable. It is approved by FM, CSA, and PTB for use in hazardous locations.

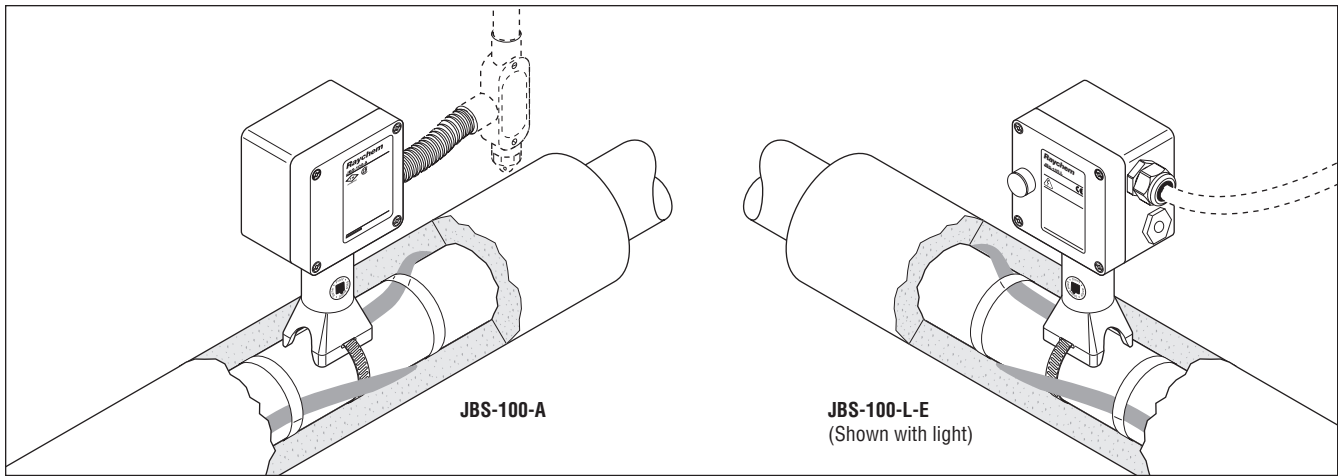
The JBS-100 integrates the functions of connection kits and insulation entries. The rugged stand protects the heating cable and allows for up to four inches (100 mm) of thermal insulation.

The cold-applied core sealer does not require a heat gun or torch for installation, so no hot work permit is necessary. The silicone-free, noncuring sealant allows easy installation and re-entry for maintenance.

Innovative spring clamp terminals provide fast installation and safe, reliable, maintenance-free operation.

Compared with other systems, this connection kit significantly reduces installation time. The kit is offered in three versions, customized for local installation practices, and is also available with a plug-in LED light (-L) that indicates when power is supplied to the heating cable circuit.

The kit contains all the necessary materials for a complete installation except for one pipe strap, which must be ordered separately.



	JBS-100-A JBS-100-L-A	JBS-100-E JBS-100-L-E	JBS-100-EP JBS-100-L-EP
Description	For use with conduit; has one 3/4-in through hole for use with 3/4-in conduit	For use with power cable; has two M25 threaded entries, one stopping plug, and one plastic power cable gland	For use with armored power cable; has two M25 threaded entries, an earthing plate, and an external earthing stud
Kit Contents	1 junction box with terminals 1 stand assembly 1 core sealer 1 green/yellow tube 1 light module (for -L only)	1 junction box with terminals 1 stand assembly 1 core sealer 1 green/yellow tube 1 M25 gland for power cable 8–17 mm in diameter 1 M25 stopping plug 1 light module (for -L only)	1 junction box with terminals, earth continuity plate, and stud 1 stand assembly 1 core sealer 1 green/yellow tube 1 M25 stopping plug 1 light module (for -L only)

Approvals

Hazardous Locations

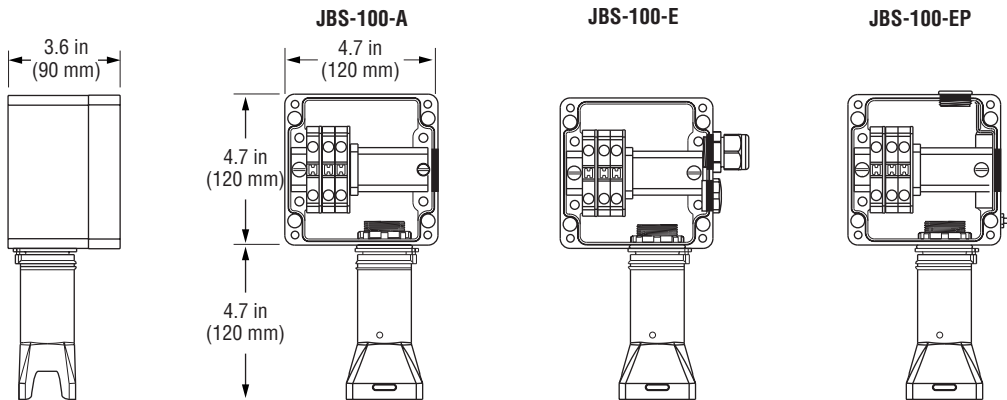
- Class I, Div. 2, Groups A, B, C, D
Class II, Div. 1 & 2, Groups E, F, G
Class III
- (1)
CL I, ZN1, AEx e II T⁽²⁾
CL I, ZN1, AEx em II T⁽²⁾ (for -L only)
- Ex e II T⁽²⁾
Ex em II T⁽²⁾ (for -L only)

- II 2 G EEx e II
II 2 G EEx em II (for -L only)
PTB 97 ATEX 1058 U
- Ex e II T⁽²⁾
Ex em II T⁽²⁾ (for -L only)

- II 2 G EEx e II
II 2 G EEx em II (for -L only)
PTB 97 ATEX 1058 U
- Ex e II T⁽²⁾
Ex em II T⁽²⁾ (for -L only)

(1) Except VPL
(2) For T-rating, see heating cable or design documentation

Dimensions



	JBS-100-A	JBS-100-E	JBS-100-EP
Product Specifications			
Heating cable capability	BTV-CR, BTV-CT, QTVR-CT, XTV-CT, KTV-CT and VPL-CT		
Ingress protection	NEMA 4X	IP66/IP67	IP66/IP67
Entries	1 x 3/4 in	2 x M25	2 x M25
Minimum installation temperature	-40°F (-40°C)	-40°F (-40°C)	-40°F (-40°C)
Minimum usage temperature	-60°F (-50°C)	-60°F (-50°C)	-60°F (-50°C)
Maximum pipe temperature	482°F (250°C)	420°F (215°C)	420°F (215°C)
Terminals	Spring clamp EEx e 2 line, 1 ground	Spring clamp EEx e 1 phase, 1 neutral, 1 earth	Spring clamp EEx e 1 phase, 1 neutral, 1 earth
Maximum conductor size	8 AWG	10 mm ²	10 mm ²
Maximum operating voltage	277 Vac	254 Vac	254 Vac
Maximum circuit breaker rating	50 A	40 A	40 A

Materials			
Enclosure	Electrostatic charge-resistant glass-filled engineered polymer, black	Electrostatic charge-resistant glass-filled engineered polymer, black	Electrostatic charge-resistant glass-filled engineered polymer, black
Lid screws	Stainless steel	Stainless steel	Stainless steel
Lid gasket	Silicone rubber	Silicone rubber	Silicone rubber
Earth continuity plate	n/a	n/a	Steel, zinc-plated and yellow-chromated

Optional LED Indicator Light			
Color	Red	Green	Green
Voltage rating	100–277 Vac	100–277 Vac	100–277 Vac
Power consumption	< 1 W	< 1 W	< 1 W

Ordering Details			
Power connection			
Catalog number	JBS-100-A	JBS-100-E	JBS-100-EP
Part number	085947-000	829939-000	158251-000
Weight	2.5 lb (1.1 kg)	1.2 kg (2.6 lb)	1.3 kg (2.9 lb)
Power connection with light			
Catalog number	JBS-100-L-A	JBS-100-L-E	JBS-100-L-EP
Part number	944699-000	054363-000	075249-000
Weight	3.5 lb (1.6 kg)	1.6 kg (3.5 lb)	1.7 kg (3.7 lb)