

Specification Sheet

Totalizing Counter, Battery Powered Resettable/Non-Resettable

Model CTR 27



Description

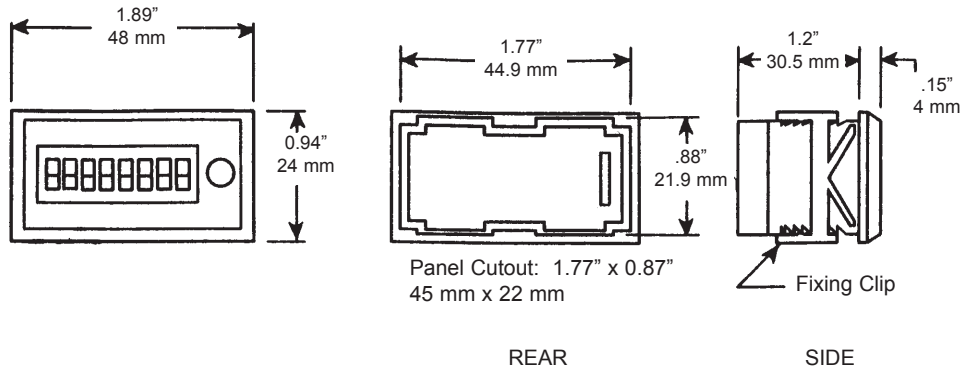
Operation. The CTR 27 battery-powered counter provides an economical remote total display for AMCO flow meters. A low speed pulser is generally recommended for this application; however, this unit is capable of accepting electronic inputs up to 10 KHz. Wiring diagrams for AMCO meters and pulsers are available upon request.

The reset feature can be configured for front panel reset, a remote reset switch or disabled.

Specifications

Display	Eight-digit (8 mm) high characters, black LCD.
Power	Internal lithium battery.
Battery Life	Ten years (calculated at 20°C).
Operating Temp.	+14°F to +140°F
Storage Temp.	+14°F to +140°F
Mounting (Up to 25')	Either with clip mount or screw mount bezel with two front screw holes. Screws not included.
Sealing	Front panel sealed to IP65/NEMA4, when used with clip mount and gasket provided.
Panel Cut-Out	45 x 22 mm + 0.6 - 0.0 (max. panel thickness 7.5 mm)
Inputs	COMMON (PIN 1) BLACK RESET ENABLE (PIN 2) GREEN Link to common to enable front panel reset key. EXTERNAL RESET (PIN 3) YELLOW Contact closure/open collector negative edge, triggered 0.7V threshold, minimum pulse length 15 ms. SLOW SPEED COUNT INPUT (PIN 4) BROWN Contact closure/open collector input, 30 Hz max. negative edge switching, 0.7V threshold, minimum pulse length 15 ms. HIGH SPEED COUNT INPUT (PIN 5) BLUE Electronic input, 10 KHz max. negative edge switching, 0.7V threshold, minimum pulse length 50 u sec. TTL/CMOS compatible.

Dimensions



AMCO Water Metering Systems Inc.

www.amcowater.com

United States

AMCO Water Metering Systems
P. O. Box 1852
Ocala, FL 34478-1852
352-732-4670 FAX 352-368-1950
Outside Florida: 800-874-0890
Inside Florida: 800-356-6829
e-mail:
watermeters@amcowater.com

Canada

Elster Water
3450 Harvester Road
Burlington, Ontario L7N 3W5
866-703-7582
905-634-4895
FAX 905-634-6705
e-mail:
watermeters@ca.elster.com

Caribbean

AMCO Water Metering Systems
P. O. Box 225
Carretera 112 KM 2.3
Isabela, PR 00662
787-872-2006
FAX 787-872-5427
e-mail:
prwatermeters@amcowater.com

Mexico

Elster Medidores
Lago Omega #281
Col. Modelo Pensil.
Del. Miguel Hidalgo
C P 11460
525 55 203 8002
FAX 525 55 203 8270
e-mail:
amcowater@prodigy.net.mx

The company's policy is one of continuous product improvement and the right is reserved to modify the specifications contained herein without notice.

© 2003 AMCO Water Metering Systems Inc. All rights reserved.